

DRAWING NO.
SD031189

REV	DATE	DESCRIPTION	ECO	BY	C'H'K.
D	08/31/2011 00:00:00 AM	CHANGE FROM TO TYPICAL UPDATE "C" NO. & DIELESS TOOLS	25415	BSB	MA

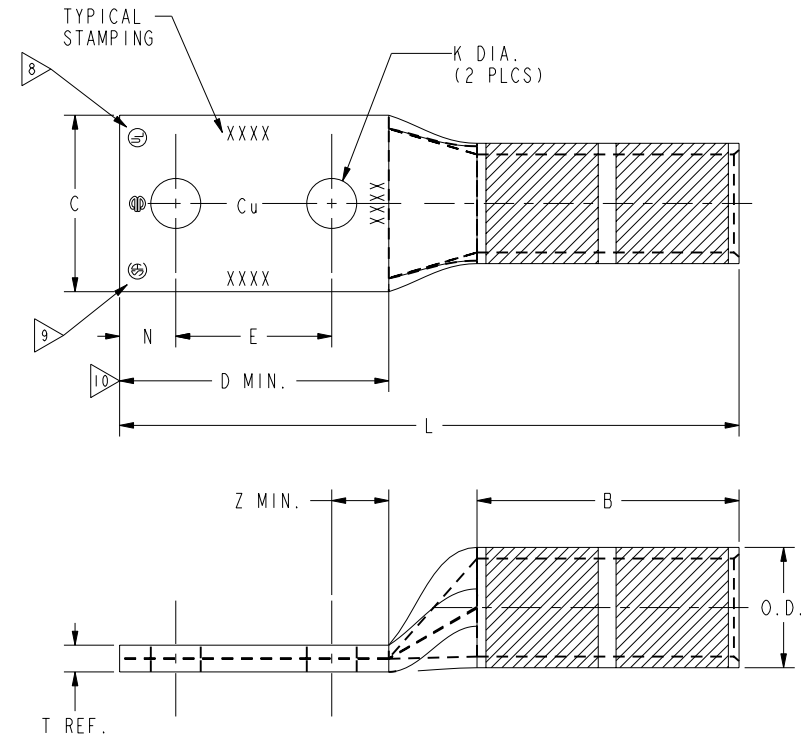
CATALOG NUMBER	STRANDED COPPER CONDUCTOR ACCOMMODATED			BOLT SIZE	METRIC BOLT SIZE	DIMENSIONS								
	CODE (AWG)	NAVY	METRIC SIZE (CLASS 2)			B	C	E	K DIA.	L	N	O.D.	T REF.	Z MIN.
YA402N	800 kcmil	----	400mm ² STR [26.1]	1/2	M12	2.94 [75]	1.98 [50]	1.75 [44]	.56 [14]	6.95 [177]	.63 [16]	1.35 [34]	.30 [8]	.64 [16]
YA412N	850 kcmil	----	----	1/2	M12		2.01 [51]			7.14 [181]		1.38 [35]	.31 [8]	
YA44-2N	1000 kcmil	----	500mm ² STR [28.3]	1/2	M12	3.00 [76]	2.19 [56]			1.50 [38]		.32 [8]		

INSTALLATION TOOLING (# CRIMPS)

CATALOG NO.	COLOR CODE	DIE INFORMATION		MECHANICAL RATCHET					HYDRAULIC					DIELESS (# CRIMPS)	WIRE STRIP LENGTH		
		DIE INDEX	TYPE	YIMRTC	OUR840 BCT500	MD6 MD7	MD6--R2 BAT500 BCT500	MD7-34R	Y34A Y34B Y34BH	Y35, Y39 Y750, BAT35 BAT750	Y46	Y45	Y48B			Y60BHU	
YA402N	ORANGE	25	ORANGE DIE SET	----	----	----	----	----	----	----	P40RT(4)	S40RT(4)	C40R(2)	L40RT(2)	HYDRAULIC: Y644(1) PAT644(1) Y81KFT(4) PAT81KFT(4) Y4PC834(4) PAT4PC834(4)	3"	
			NEST	----	----	----	----	----	----	----	P40D(2)	----	C40D(2)	----			
			INDENTOR	----	----	----	----	----	----	----	P44PR	----	Y48PR	----			
YA412N	GOLD	26	GOLD DIE SET	----	----	----	----	----	----	----	----	----	----	----	3"		
			NEST	----	----	----	----	----	----	----	----	P41D(2)	----	C41D(2)		----	
			INDENTOR	----	----	----	----	----	----	----	----	P44PR	----	Y48PR		----	
YA442N	WHITE	27	WHITE DIE SET	----	----	----	----	----	----	----	----	----	----	----	3-1/16"		
			NEST	----	----	----	----	----	----	----	----	----	P44RT(4)	S44RT(4)		C44R(2)	L44RT(2)
			INDENTOR	----	----	----	----	----	----	----	----	----	P44D(2)	----		C44D(2)	----

TOLERANCE BLOCK

CONNECTOR SIZE	TOLERANCES						
	B	C	E	K DIA.	L	N	O.D.
-6C THRU -25	±.06	±.04	±.02	±.02	±.09	±.03	±.01
-26 THRU -34	±.08	±.04	±.02	±.02	±.12	±.03	±.01
-35 AND UP	±.09	±.06	±.02	±.02	±.15	±.06	±.01



NOTES:

- MATERIAL: COPPER TUBING
- FINISH: TIN PLATED. FOR UNPLATED VERSION, ADD SUFFIX "BR" TO CATALOG NUMBER EX. YA402NBR.
- CATALOG # PT6515 ADAPTOR IS REQUIRED TO USE "U" DIES IN Y45 SERIES TOOLS.
- CATALOG # PUADP-1 ADAPTOR IS REQUIRED TO USE "U" DIES IN Y46 SERIES TOOLS.
- PERMANENT DIE IN TOOLING.
- DIMENSIONS IN BRACKETS [] ARE IN MILLIMETERS ROUNDED OFF TO THE NEAREST MILLIMETER, UNLESS OTHERWISE NOTED, AND ARE FOR REFERENCE ONLY.
- FOR USE BY CUSTOMERS THAT HAVE THIS HYPRESS™. NO NEW Y34A HYPRESS™ TOOLS ARE BEING PROCESSED. Y34A USES A--D TYPE NEST DIES.
- CONNECTORS ARE UL LISTED; UNDRILLED VERSIONS ARE NOT UL LISTED.
- CONNECTORS ARE CSA CERTIFIED; UNDRILLED VERSIONS ARE NOT CSA CERTIFIED.
- FOR UNDRILLED VERSIONS ADD SUFFIX "-U" TO END OF CATALOG NUMBER. FOR UNDRILLED VERSIONS, USE D MIN. = N MAX. + E MIN. + Z MIN.
- "X", "W-RT", "W-VT", "U", & "L" DIE SETS ARE COLOR CODED. "A", "B", AND "C" DIES ARE NOT COLOR CODED. NESTS AND INDENTOR TYPE ARE NOT COLOR CODED.
- BAT500 AND BCT500 ARE HYDRAULIC TOOLS.

REFERENCE: SE209513

TO ORDER BURNDY® PRC		HYLUG™	
ITEM NO:	N/A		
CAT. NO:	YA--2N (SEE TABLE)		
DRAWN BY:	J MICHAUD 11/18/94		
CHECKER:	D FILLION 11/18/94		
DSN APPVL:	C PALAGI 10/24/94		
MFG APPVL:	--		
QA APPVL:	C ACKERMAN 11/17/94		
MKT APPVL:	T NELSON 11/10/94		
PROD FAM:	CM&R COMPRESSION	DRAWING NO	REV
PROJECT #:	--	SIZE	SD031189
DOCUMENT TYPE:	Sales		D
REL LEVEL:	Released		SHEET 6 OF 10

REV: PE0200